



PERFECTWERKS
NITRO
UKEG
Owner's Manual



Welcome to your new uKeg Nitro Cold Brew Coffee Maker! Now you can MAKE, STORE and POUR nitro cold brew coffee wherever life takes you. This manual will help you keep the uKeg Nitro in perfect working order and will give you helpful tips to be your own professional barista!

For more info, please visit:
www.perfectwerks.com

Included With Your Nitro

- uKeg Nitro
- Nitro regulator cap
- Gas cartridge sleeve
- Owner's manual
- Serving mat
- 4 brewing bags
- Brewing bag filling funnel
- Reusable storage bag
- Spare cartridge seal
- Custom assembly tool

QUICK START GUIDE



Brew



Remove bags and
Add Water



Insert Nitro
Cartridge



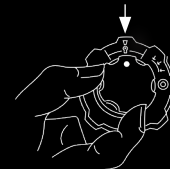
Screw on
Cap



Turn to "INFUSE"



Shake for 2
Minutes



Turn to
"POUR"



Pour and
Enjoy!

BREWING NITRO COLD BREW



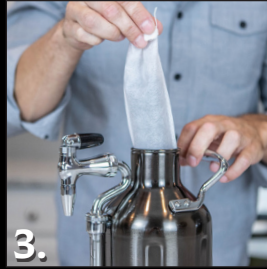
1.

- Fill 2 bags with 60g (~3/4 cup), coarse ground coffee each.



2.

- Tie knot with bag strings.



3.

- Place both bags in uKeg (knot facing upward).
- Fill with water to "BREW" Line (~1.25 liters/42oz).*



4.

- Place in refrigerator for 12-24 hours.
- Swirl from time to time.



5.

- Pull out bags.
- Add additional water to "FULL" line (~.75 liters/25oz).*



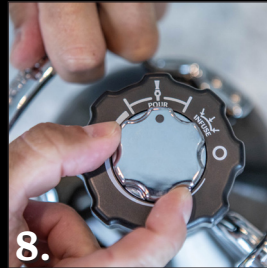
6.

- Insert fresh nitro gas cartridge into cartridge sleeve.
- Tighten cap on uKeg Nitro.
- Turn dial to max "INFUSE" setting.



7.

- Shake vigorously for 2 minutes to infuse nitro gas in the cold brew.



8.

- Turn dial to "POUR"
- Serve and enjoy!
- Leave on "INFUSE" setting for a foamier pour.



"BREW"



"FULL"

**"BREW" and "FULL" lines are located on inside wall of the Nitro bottle.

INSTALLING THE NITRO GAS CARTRIDGE



Install Cartridge

- Wait until you're ready to infuse.
- Ensure dial is in off position.



Charge Cap

- Tighten sleeve quickly and firmly.
- Sleeve does not need to bottom out.
- A quick puff of gas is normal.

ADJUSTING PRESSURE



The Cap

- The dial controls the pressure inside the uKeg Nitro.
- Turn dial all the way up for nitro infusion.
- Turn to "Pour" for best performance while pouring and storing.

LOCKING TAP



The Tap

- Fold tap handle back to lock.
- Pull forward to pour.

FOR SAFETY AND OPTIMAL PERFORMANCE



Do not use with hot liquids.*



Do not open sleeve when cartridge contains pressure.



Do not turn off pressure when uKeg is full. Doing this does not save nitro gas.



Do not use abrasive materials or metal polish on exterior surfaces.



Do not put in dishwasher. **HAND WASH ONLY.**



Nitro Chargers and other accessories available at:
www.perfectwerks.com

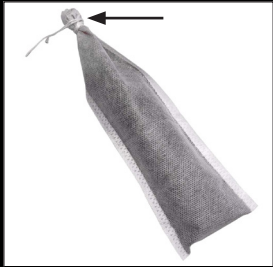
WARNING!

*Using liquids above 120° F (49° C) in the uKeg Nitro can result in serious injury and/or damage to the product.

THE PERFECT BREW FOR YOU

The type of coffee roast and grind play a big part in dialing in the perfect cold brew for you. To brew a stronger cup of cold brew, try these tips:

- Add more coffee to bags.
- Tie knot high up on bag.
- Do not compact coffee in bags to ensure grounds are loosely filled.
- Swirl from time to time during brewing. This helps to pass more water over the coffee grounds to better extract the coffee flavors.
- Add LESS water AFTER brewing for a more concentrated brew.



DONT FEEL LIKE BREWING

Get your uKeg Nitro filled at a coffee shop or use a cold brew concentrate.

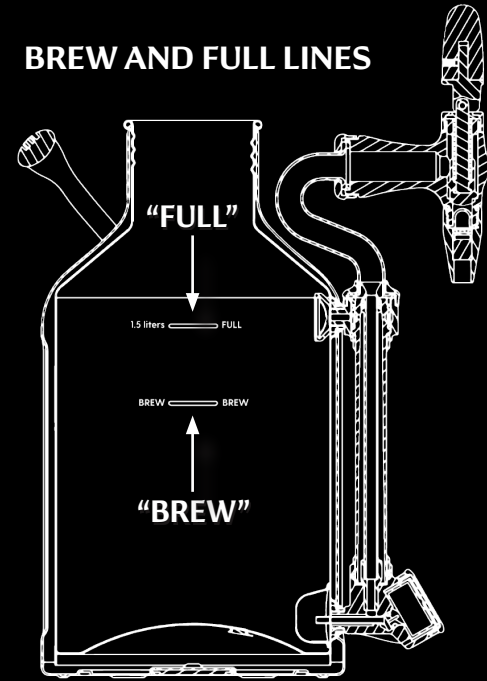
BETTER CASCADES

The goal is to maximize the infusion of gas into the coffee.

- Do not fill above “FULL” line as enough space must be left above the coffee for proper gas infusion.
- Purge air from the bottle before shaking. (see below)
- Keep regulator on max “INFUSE” setting rather than reducing to “POUR” setting.
- If first pour does not cascade, shake for another minute.



BREW AND FULL LINES



PURGING OXYGEN

This helps keep coffee fresh and helps with better gas infusion.

- Install cap and pressurize to 2 psi.
- Turn dial off, loosen cap slightly to release gas.
- Reinstall cap, then fully pressurize.

AFTER EACH USE



1.

- Turn off gas.
- Remove cap and rinse with warm water.*
- Leave cartridge installed for step 3.



2.

- Rinse uKeg with warm water.*
- Repeat 2-3 times until clean.



3.

- Fill with warm water*, install cap, open tap.
- Use remaining nitro gas to flow water through tap.
- If no gas remains, fill full with warm water to flow through tap.



4.

- Discharge remaining nitro gas by turning dial and venting.
- Remove and recycle gas cartridge.



5.

- Allow to dry by pouring out remaining water.
- Store with cap off and tap open in dry place.

FOR A MORE THOROUGH CLEANING



1.

- Fill with warm water* and one cleaning tablet.
- Cap and shake well.
- Baking soda is a suitable substitute.



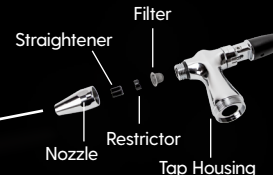
2.

- Pressurize with remaining nitro gas and briefly flow water through tap.
- Let sit 10 minutes.
- Open tap until pressure runs out.
- Remove cap, rinse all parts with water.



3.

- Remove the nozzle for cleaning and drying.
- Rinse (make sure parts inside nozzle remain intact).



uKeg Cleaning Tablets
Available at:

www.perfectwerks.com



4.

- To clean coffee grounds from tap, invert bottle, open tap and flow water backwards through faucet.



VANILLA OAT MILK COLD BREW LATTE

Here is a creamy dairy alternative that shines on nitro and perfect for any occasion. In your uKeg Nitro, mix:

- 4 tsp vanilla extract
- 14 ounces oat milk
- 36 ounces of cold brew coffee
- Shake for 2 minutes
- Serve over ice.
- Enjoy!

IRISH BRUNCH

Tap into your inner bartender and impress your guests with a nitro-infused cocktail. You can experiment with different recipes, but to get you started, we suggest an Irish Brunch. In your uKeg Nitro, mix:

- 6 ounces Irish Cream
- 6 ounces Irish Whiskey
- 38 ounces of cold brew coffee
- Shake for 2 minutes
- Serve over ice.
- Enjoy!

CHANGING TAP HANDLE



- Use 1.5mm allen wrench (provided with new handle).
- Loosen handle set screw and pull straight up.
- Do not twist.
- Install a compatible handle in reverse order.
- Compatible handles available at: Growlerwerks.com

CARING FOR YOUR UKEG'S COLOR FINISH:

The surface and color of your uKeg is a durable coating that is bonded to the stainless steel bottle in a thin layer. Your coated uKeg should not corrode. For best results when cleaning, please follow instructions below:

- To clean the surface, gently wash with soap and water or mild detergents.
- To remove spots, discoloration, or minor blemishes, gentle rubbing with a soft cloth and water is recommended.
- Do not use polishing compounds or abrasive pads to polish the color surfaces.
- Spot cleaning this way can remove the finish which can later lead to corrosion.
- Polishing with compounds can completely remove the bonded coating layer and expose the stainless steel beneath.

The uKeg's finish, while strong, is not impervious to scratching, so if you want it to look nice, please treat it nicely.

CARTRIDGE SEAL REPLACEMENT



Squeeze tabs and pull retainer out.



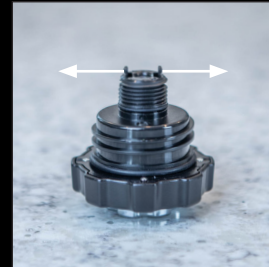
Inspect cartridge seal for cracks or defects. Replace if needed. Note orientation when removing.



Insert new seal in orientation shown.



Reinstall retainer and seal.



Push retainer down until both tabs click outward.

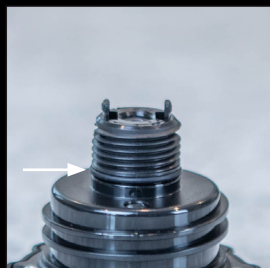
INSPECT PERIODICALLY



Make sure retaining tabs are fully pushed out and seated properly.



Cap O-ring should be tight and smooth.



Make sure O-ring is installed as shown and free of damage.



Pressure off is counterclockwise.

HELPFUL TIPS

- Replace nitro gas cartridge after every use. Any remaining gas can be used to flush your uKeg with clean water (see Cleaning on page 6).
- Long term storage of your uKeg with a cartridge installed will reduce cartridge seal life. Remove cartridges promptly after discharge.
- The cartridge seal is designed to be resilient, but may be damaged from overtightening or sharp cartridges. Your uKeg came with 1 extra cartridge seal, and more can be purchased at: GrowlerWerks.com
- The cap O-ring is designed to be resilient, but may become damaged or loose from over-tightening.
- Replacement cap seals are available at: GrowlerWerks.com
- Applying a light coat of silicone grease to O-rings will extend their lifetime. Available at: www.perfectwerks.com



Silicone Grease

NITRO MAP

NITRO MAP

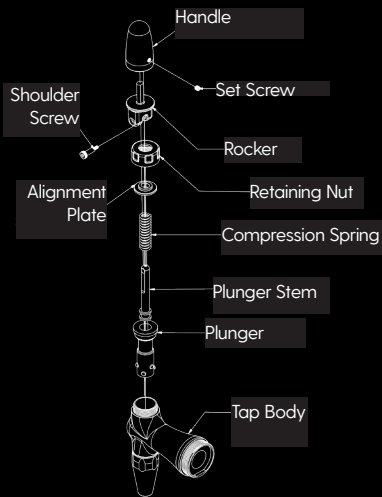


INFUSION CAP

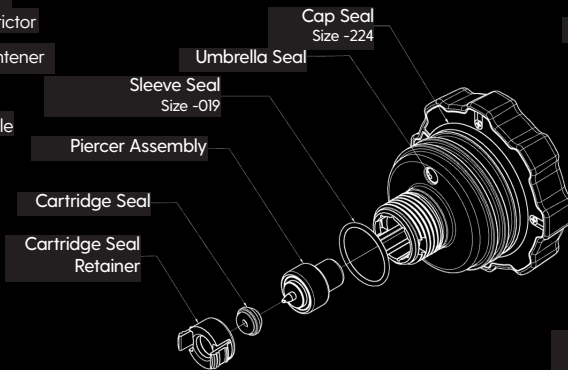


For Troubleshooting, please see our support page at: www.perfectwerks.com/howto

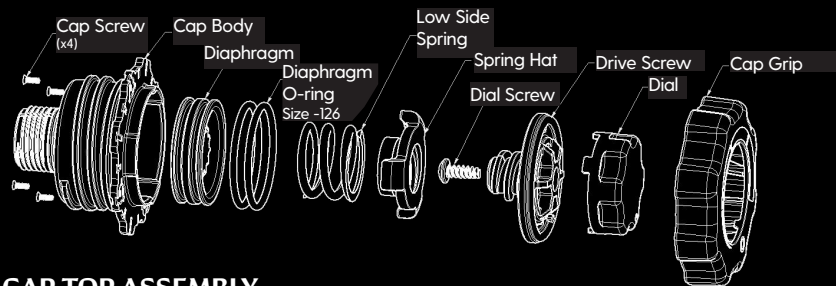
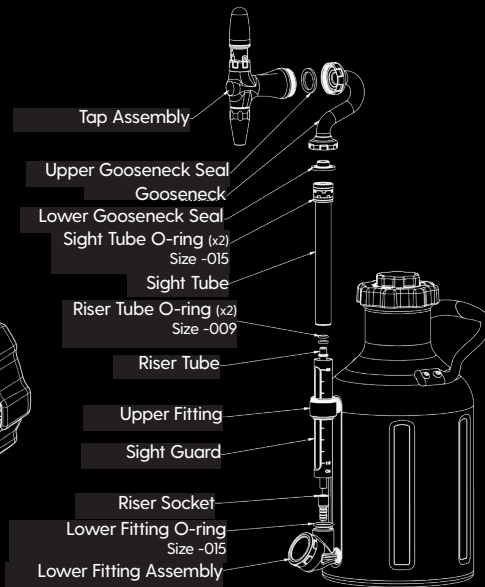
TAP ASSEMBLY



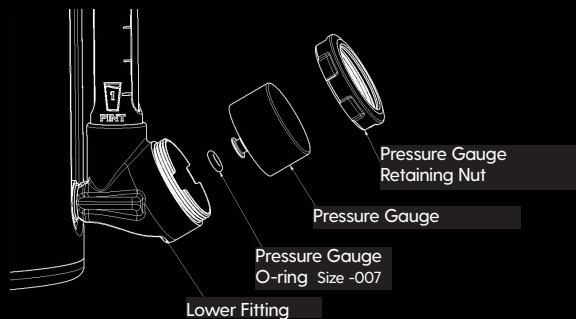
CAP BOTTOM ASSEMBLY



SIGHT TUBE ASSEMBLY



CAP TOP ASSEMBLY



PRESSURE GAUGE ASSEMBLY

COMPONENT DIAGRAMS



Warranty Information

The uKeg™ comes with a limited one-year warranty from date of receipt of a new purchase from an authorized retailer.

Please read the full warranty at:

<https://perfectwerks.com/pages/warranty>

Questions or concerns?

Contact us at: support@perfectwerks.com

Register your uKeg

Registering your uKeg helps us properly apply your one-year warranty

<https://perfectwerks.com/pages/registration>

www.perfectwerks.com

