



PERFECTWERKS
UKEG ^{PRO}
Owner's Manual

THANK YOU FOR JOINING THE UKEG FAMILY

Say hello to the fresh life, and goodbye to that thirsty life you used to live. We are glad you're here. In these pages, you'll find valuable tips and tricks for keeping the best pours flowing. We encourage a full review as you prepare your first few batches. Optimal refreshment is right around the corner, once you get the hang of it. Cheers!

For more info, please visit:
www.PerfectWerks.com



Do not open sleeve when cartridge contains pressure.

Do not use uKeg with liquids above 120° F (49° C).

Do not polish carry handles or color-coated uKegs.

Do not put in dishwasher.



Do not use without gas cartridge.



Do not turn off pressure when uKeg is full. Doing this does not save gas.



Do not pour on its side or shake.

QUICK START GUIDE



Install gas cartridge



Fill clean uKeg



Screw on cap



Turn dial on cap to desired pressure



Use the pressure gauge to fine-tune the pour



Pour and enjoy!



Included with your uKeg™:

- Gas cartridge sleeve
- Regulator cap
- uKeg
- Surgeon General's warning (required in some states)
- Owner's manual
- Non-woven protective bag
- Spare cartridge seal (see page 7)
- Custom assembly tool
- 1.5mm hex tap handle wrench

Visit: perfectwerks.com/pages/howto for a full instructional video.



1.

Install gas cartridge

- Ensure dial is in off position.
- It's a good idea to do this before leaving home.



2.

Charge cap

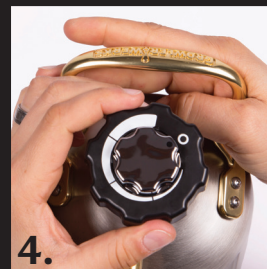
- Tighten sleeve quickly and firmly.
- Sleeve does not need to bottom out.



3.

Fill uKeg

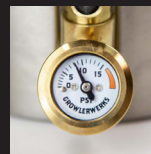
- First, rinse with cold water.
- Fill from the bottom. (fill tube recommended)



4.

Cap uKeg

- Turn dial to pressurize to desired setting.
- Leave it on.



5.

Pour and enjoy

- Tilt glass, hold close to the spout.
- Open tap completely, let go.

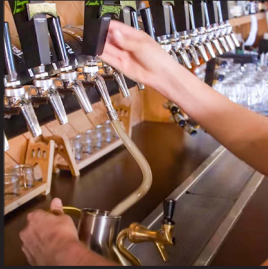


Gas cartridges and other accessories available at: www.PerfectWerks.com

Due to shipping and retailer regulations, this uKeg was not sold with CO₂ included.

CARBONATION SETTINGS

Beverage Type	Pressure
Stout, Porter, Cream Ale, Barley Wine	3-6 PSI
Amber, Brown, Red Ale	5-8 PSI
IPA, Pale Ale, Wheat, Other Ales	7-10 PSI
Lager, Pilsner, Cider, Kombucha	9-12 PSI
Sparkling Wine, Soda	12-15 PSI
*At 39°F (4°C), sea level	



Filling your uKeg

- Rinse with cold water.
- Fill from the bottom up with the tap open. (fill tube recommended)
- Put cap on yourself, to avoid overtightening.



Pour a good beer

- Open tap fully.
- Let go of tap handle.
- Tilt glass.
- Tap drips a few times when closed – leave glass to catch last drops.
- Tip uKeg to pour final ounces.



Transport

- Secure upright.
- Lower pressure.
- May vent with elevation increase.



Keep it cold

- Perfect in your refrigerator door.
- Keep out of direct sunlight to prevent fittings from getting hot.
- Store in a cooler upright – do not submerge cap.



Gooseneck

- Can turn sideways.
- Turn to transport or dispense sideways.
- Sometimes nut will be tight and gooseneck may still feel loose – that's OK.

To minimize foaming

- Keep uKeg clean.
- Allow to settle after transport.
- Avoid warming.
- Adjust pressure for smoother pour.

What NOT to put in the uKeg

- No liquids over 120°F (49°C).
- No solids or large particles – they may clog.
- Do not use uKeg for fermentation.

Insulation

- Stays cold 8 hours or more.



Periodically Inspect

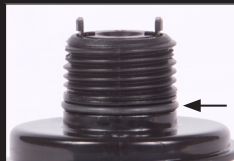
Cap O-ring should be tight, and smooth



Cartridge seal should be rounded, smooth and clean



Make sure retaining tabs are not pushed in.



Make sure O-ring is installed as shown and free of damage.



Sleeve doesn't need to be bottom out.



Pressure off is counterclockwise.

Installing a cartridge:

- Before installing cartridge, do these things.
 - Make sure the pressure dial is off.
 - Make sure cartridge seal retainer is fully installed and tabs are pushed out
- Inspect your seals:
 1. Cartridge seal is not damaged or excessively worn.
 2. Cap O-ring is not stretched or damaged.
 3. Sleeve seal and plug are in good condition. They ensure beer does not contact the gas cartridge.
- Screw the sleeve on quickly.
- Listen for hissing. It should stop within seconds.
- You can always test the cap by hand, turning on the dial slightly, listening for a puff of gas.
- Use only approved gas cartridges, as some gas cartridges may not fit properly and can lead to leaks (www.perfectwerks.com/pages/howto).

To remove a spent cartridge:

- You can turn off the cap and remove it from the bottle at any time.
- Before unscrewing sleeve, test that it's empty by turning the pressure dial and making sure no hissing is heard.
- Unscrew sleeve slowly and listen for hissing. If heard, stop until hissing stops.
- Before installing the next cartridge, allow the cartridge seal to recover its rounded shape.

What to expect from your cap:

- Cartridge will last for one growler fill, with some gas left over that can be used during cleaning (see page 6).
- Beer will stay fresh for at least 2 weeks.
- Cartridge seal will last for over 20 fills, unless damaged.
- Long term storage of cap with gas cartridges installed reduces cartridge seal life, remove empty cartridges promptly.
- Cap O-ring can become damaged or stretched and may need to be replaced.
- Applying a food grade silicone grease to seals will extend their life.



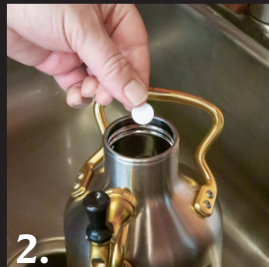
Hand Wash Immediately After Use (not dishwasher safe)



1.

Turn off pressure, remove cap and rinse uKeg with hot water.*

- Repeat 3 times.



2.

Fill with hot water add and one cleaning tablet.*

- Shake well.

* Baking soda is acceptable substitute. Dish soap not recommended.

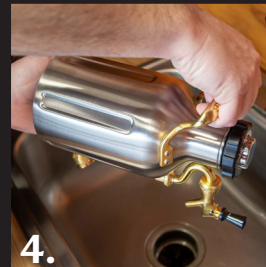


3.

Install cap, with any remaining gas, charge briefly then flow water through tap, close tap.

- Let sit for 10 minutes.
- Then open tap until uKeg is empty or pressure runs out.

(If no gas remains, fill full with hot water to flow through tap.)



4.

Shake with tap open, facing downward.

- Water may or may not come out of tap.
- Repeat steps 2-4 until water runs clear.



5.

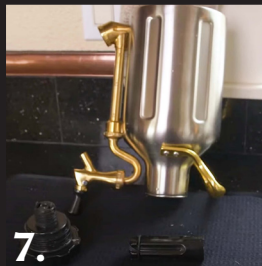
Empty bottle and rinse all parts.

- Dried beer can seize lock mechanism.
- Thoroughly rinse tap lock.
- Move lock several times during rinse.



6.

Rinse cap and sleeve with hot water.



7.

Allow to dry, store with cap off, sleeve removed, and tap open in a dry place.

uKeg Cleaning Tablets



Available at:
GrowlerWerks.com

Caring for your uKeg's color finish:

The color of your uKeg is a durable coating that is bonded to the stainless steel bottle in a thin layer and then covered with a protective lacquer finish. Your coated uKeg should not corrode, but it may tend to darken slightly over time.

To clean the surface, gently wash with soap and water or mild detergents.

To remove spots, discoloration, or minor blemishes, gentle rubbing with a soft cloth and water is recommended. Do not use polishing compounds or abrasive pads to polish the color surfaces.

* <120° F, (49° C)

Cartridge Seal Replacement



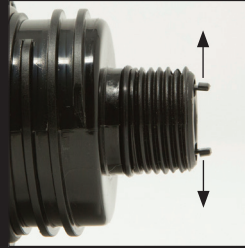
Squeeze tabs and pull retainer out.



Insert new seal in orientation shown.



Re-install retainer and seal.



Push retainer down until both tabs click outward.

Cap Seal Replacement



Stretch O-ring just enough for installation.

Removing the Tap Handle and Tap Cleaning



Use 1.5mm allen wrench.



Pressure Gauge Replacement



The uKeg is a complete beverage dispensing system, and it will experience some wear and tear as it ages. As with a commercial system, you can expect to replace a few seals and components but the uKeg is designed to make this simple. Here are a few of the most common procedures you may encounter. For more information on these and other aspects, plus videos of maintaining your uKeg, please visit www.perfectwerks.com/pages/howto or contact technical support.



Instructional video on our website:
www.perfectwerks.com/pages/howto

Force carbonating homebrew:

- 1 Sanitize your uKeg with Iodophor or other food grade sanitizer.
- 2 Fill the uKeg to one (1) inch below the fill line with your beer after fermentation.
 - Do not add priming sugar.
 - If you bottle, add the priming sugar to the bottling bucket after filling the uKeg.
 - Remember to adjust your sugar addition for actual volume of beer you'll be bottling.
- 3 Install gas cartridge into cap and install cap onto uKeg.
- 4 Purge oxygen from uKegs:
 - Turn on cap to 1-2 psi then turn off again.
 - Loosen cap slightly to vent pressure.
 - Tighten and repeat once.
 - Tighten fully and turn up pressure.
- 5 Turn pressure up to max setting.
- 6 Shake Vigorously for 1 minute, then refrigerate.
- 7 Swirl frequently to accelerate carbonation. Beer will be fully carbonated in a few days.
- 8 Reduce pressure to desired level.
 - Indicated pressure will lower only after a little beer is poured.
 - First pour may be foamy until pressure equalizes.
- 9 After first pour, uKeg may run out of pressure as all of the CO₂ has gone into the beer.
 - For the uKeg 64, you can purchase the 16gm sleeve and use a 16gm cartridge to avoid this.
- 10 Open uKeg and install new gas cartridge.
- 11 Purge gas (see step 4).
- 12 Enjoy!

Red Brut

Ingredients:

- 1 uKeg™ 128
- 1 Bottle – Wild Roots Raspberry Infused Vodka (or any vodka + raspberries)
- 3 Liters – Torre Oria Brut (champagne, moscato, or prosecco)
- 1 Lemon
- 1 Box Raspberries
- 1 Bundle Mint Leaves

Instructions:

Pour entire bottle of Wild Roots Raspberry Infused Vodka & 3 liters (four 750 ML bottles) Torre Oria Brut into uKeg 128.

Charge the cap with gas cartridge (using a 16-gram cartridge ensures you'll have enough gas to carbonate and dispense).

Grab your flute.

Drop 3 raspberries and a leaf of mint into flute (slap mint to charge flavor).

Pour your beverage into flute, and garnish with lemon peel.

Enjoy.

WARNING: This combination is meant for those who enjoy the more tart side of life. The bite is as strong as its bark. To sweeten that, we suggest using a moscato, 5 tablespoons of honey, or both!

Eastside Mule

Ingredients:

- 1 uKeg™ 64
- 1 Bottle – Eastside Distilling Below Deck Ginger Rum
- 4 Pack – 12 oz Reed's Extra Ginger Beer
- 1 Bottle Natural Lime Juice (found at any local grocery store)

Instructions:

Measure 20 ounces of Eastside Distilling Below Deck Ginger Rum, 40 ounces of Reed's Extra Ginger Beer & 4 ounces of lime juice.

Pour measurements into uKeg 64.

Stir these ingredients for 30-40 seconds.

Charge the cap with gas cartridge (using an 8-gram cartridge ensures you'll have enough gas to carbonate and dispense).

Place the cap on the uKeg and turn the pressure up to 15 psi, which will keep the correct level of carbonation in the ginger brew and ensure you taste that kick unique to a moscow mule.

Grab a glass, drop in a few ice cubes, pour, sip, repeat.*

You can adjust the dial to automatically maintain perfect carbonation.

*Keep uKeg in refrigerator to ensure fresh pours to the last drop.

The uKeg is a complete beverage dispensing system to contain your beverage and keep it cold. Here's a handy map to your uKeg's parts, to help you find your way around.



RISKS & WARNINGS

· Use precaution when handling CO₂ cartridges and follow all instructions. Keep bottom of cartridge sleeve pointed away from body when installing and removing cartridges. Do not attempt to remove a cartridge from regulator cap if still pressurized.

· Risk of cold burns – CO₂ gas and used cartridges can be very cold. Use caution when handling. Always point the regulator cap's outlet away from body when discharging.
 · CO₂ cartridges are to be used for food consumption only and not for sale to minors under the age of 18.

· Do not inhale contents. Misuse can be dangerous to your health.
 · This product carries risk of explosion and flying debris.
 · Misuse can be dangerous!
 · Do not incinerate.

· Do not expose to sun or heat.
 · Do not store above 49°C/120°F.
 · Keep out of reach of children.

AUTOMATIC CARBONATION CAP



Gas Cartridge*

* Other gases may be used:

- Argon can be used for non-carbonated beverages.
- N₂O cream chargers won't carbonate but can yield a smoother character.

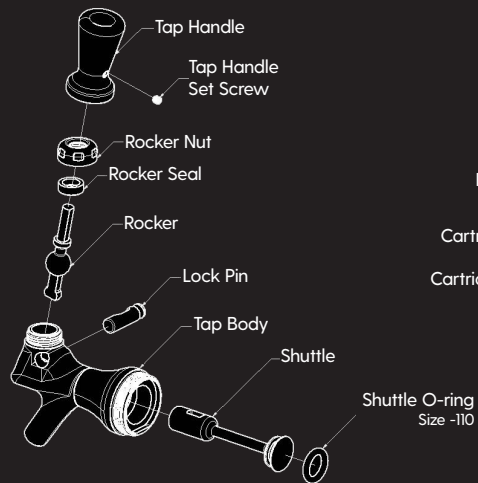
*Ensure plug is fully seated

PROP 65 WARNING: This product can expose you to chemicals including Chromium (hexavalent compounds), which is known to the state of California to cause cancer and/or birth defects or other reproductive harm. For more information go to www.p65warnings.ca.gov.

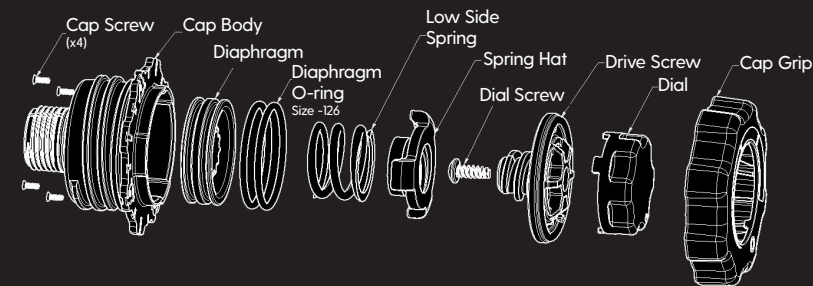
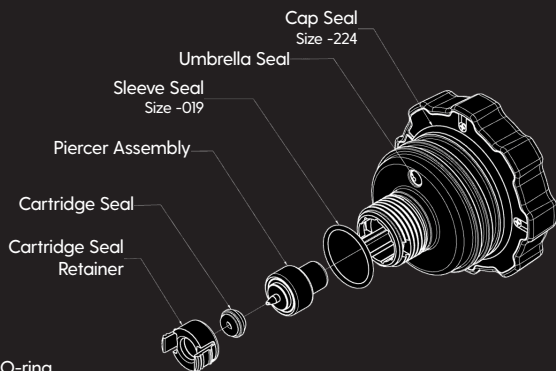


For Troubleshooting, please see our support page at:
www.perfectwerks.com/pages/howto

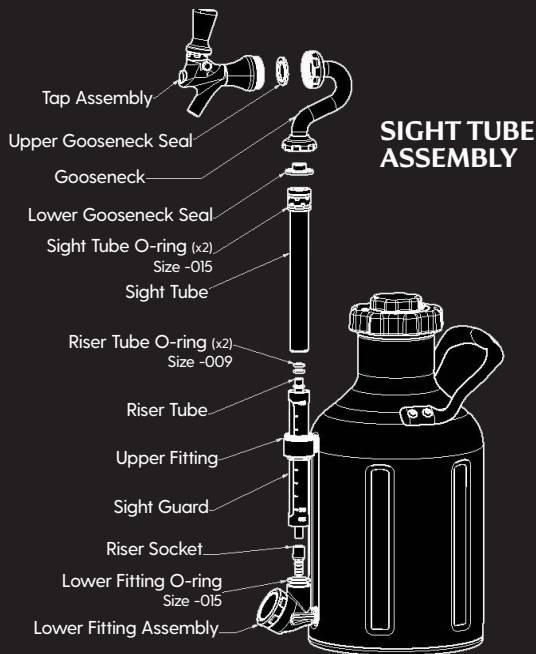
TAP ASSEMBLY



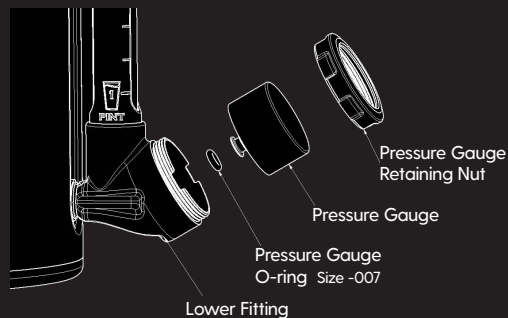
CAP BOTTOM ASSEMBLY



CAP TOP ASSEMBLY



SIGHT TUBE ASSEMBLY



PRESSURE GAUGE ASSEMBLY

INSIDE YOUR UKEG



Visit PerfectWerks.com for more helpful uKeg products.

Warranty Information

The uKeg comes with a limited one-year warranty from date of receipt of a new purchase from an authorized retailer.

Please read the full warranty at: perfectwerks.com/pages/support-and-service

Questions or concerns?

Contact us at: Support@PerfectWerks.com

Register your uKeg

Registering your uKeg ensures that your one-year warranty is properly applied.

www.perfectwerks.com/pages/registration

Free email support for life!

Customer Service

Support@PerfectWerks.com

